

KOGELKRAAN 2/2



MAIL
BESTELLING

BLOCK BALL VALVE

Shut-off ball valve

2/2 way

VC-KHB



Advantages

- Versatile fastening possibilities due to integrated, threaded fastening holes (5 mm, M6).
- User-friendly operation due to ergonomically shaped handle.
- Precise operation due to optimally adjusted stem.
- Exclusion of unintended operation due to integrated locking device.
- Completely maintenance-free due to a floating ball embedded in the ball seats.
- Absolutely leak-tight due to preloaded ball seats – also in case of low pressure and vacuum.
- High corrosion resistance due to high-quality galvanised surface (chrome 6 free).

Main fields of application



Interchangeability

Interchangeable with products of renowned manufacturers such as Hydac, Pister, MHA-Zentgraf, Rötelnmann etc.

Technical data

Material:

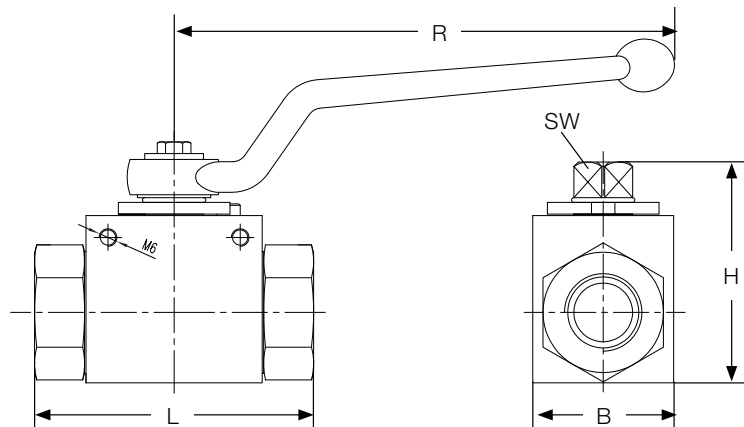
Body: Steel
 Ball: Steel
 Stem: Steel
 Ball seal: POM
 Stem seal: NBR

Surface:

Material: Chrome 3, zinc coated
 White rust resistance: 90 h
 Red rust resistance: 160 h

Temperature range:

-20 °C to +100 °C



| Size | | Connection | | Dimension | | | | | Performance Data | |
|------|--------|------------|-------------|-----------------|---------------|---------------|--------------|----------------------|------------------------|----------------|
| DN | Form | Thread | Pipe-Ø (mm) | Hexagon SW (mm) | Length L (mm) | Height H (mm) | Width B (mm) | Handle length R (mm) | Working pressure (bar) | Article Number |
| 6 | male | M 14 x 1,5 | 8 L | 9 | 67 | 44,5 | 28 | 108 | 500 | VC-KHB-8L-6 |
| 8 | male | M 16 x 1,5 | 10 L | 9 | 74 | 52,5 | 32 | 108 | 500 | VC-KHB-10L-8 |
| 10 | male | M 18 x 1,5 | 12 L | 9 | 74 | 52,5 | 32 | 108 | 500 | VC-KHB-12L-10 |
| 12 | male | M 22 x 1,5 | 15 L | 9 | 82 | 52,5 | 35 | 108 | 500 | VC-KHB-15L-12 |
| 16 | male | M 26 x 1,5 | 18 L | 12 | 82 | 63,5 | 38 | 155 | 400 | VC-KHB-18L-16 |
| 4 | male | M 16 x 1,5 | 8 S | 9 | 73 | 44,5 | 28 | 108 | 500 | VC-KHB-8S-4 |
| 6 | male | M 18 x 1,5 | 10 S | 9 | 73 | 44,5 | 28 | 108 | 500 | VC-KHB-10S-6 |
| 8 | male | M 20 x 1,5 | 12 S | 9 | 76 | 52,5 | 32 | 108 | 500 | VC-KHB-12S-8 |
| 12 | male | M 24 x 1,5 | 16 S | 9 | 86 | 52,5 | 35 | 108 | 500 | VC-KHB-16S-12 |
| 16 | male | M 30 x 2,0 | 20 S | 12 | 90 | 63,5 | 38 | 155 | 400 | VC-KHB-20S-16 |
| 6 | female | 1/4" BSP | - | 9 | 69 | 44,5 | 28 | 108 | 500 | VC-KHB-G14I-6 |
| 10 | female | 3/8" BSP | - | 9 | 72 | 52,5 | 32 | 108 | 500 | VC-KHB-G38I-10 |
| 12 | female | 1/2" BSP | - | 9 | 83 | 63,5 | 35 | 108 | 400 | VC-KHB-G12I-12 |
| 20 | female | 3/4" BSP | - | 14 | 95 | 75,0 | 48 | 170 | 315 | VC-KHB-G34I-20 |
| 25 | female | 1" BSP | - | 14 | 113 | 82,0 | 57 | 170 | 315 | VC-KHB-G1I-25 |

Scope of delivery

- Handle
- Thread protection